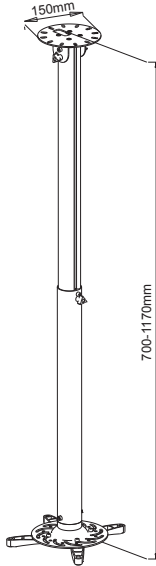

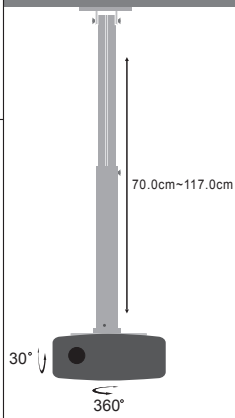

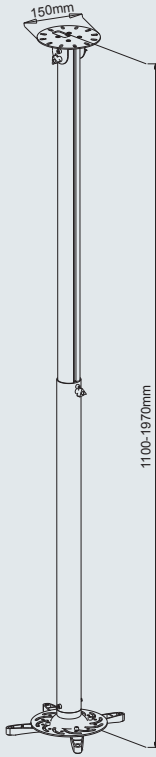

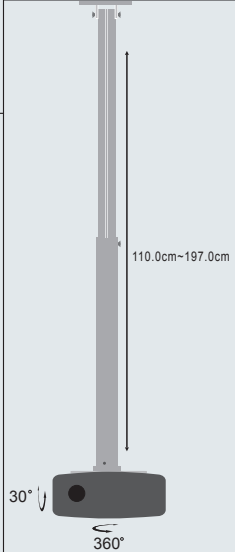





UNIVERSAL PROJECTOR CEILING MOUNTS **NEW**


<p>MODEL NO.: PM200 70-117</p> <p>Max. 33 lbs 15 kg</p> <p>Color</p> <p>● ● ○</p>	 	<p>DESCRIPTION Universal projector ceiling mount with extension</p> 		
		<p>PRODUCT DIMENSIONS 5.9" w x (27.6"-46.1") h x 7.1" d 15.0 x (70.0-117.0) x 18.1 cm</p>	<p>WEIGHT 2.7 kgs</p>	
		<p>PACKING DETAILS Carton Dim.: 64.0 x 40.0 x 20.0 cm N.W./G.W.: 13.5/14.5 kgs QTY/CTN: 5 pcs QTY/20FT: 2,730 pcs</p>		

<p>MODEL NO.: PM200 110-197</p> <p>Max. 33 lbs 15 kg</p> <p>Color</p> <p>● ● ○</p>	 	<p>DESCRIPTION Universal projector ceiling mount with extension</p> 		
		<p>PRODUCT DIMENSIONS 5.9" w x (43.3"-77.6") h x 7.1" d 15.0 x (110.0-197.0) x 18.1 cm</p>	<p>WEIGHT 3.8 kgs</p>	
		<p>PACKING DETAILS Carton Dim.: 101.5 x 40.0 x 20.0 cm N.W./G.W.: 19.0/20.0 kgs QTY/CTN: 5 pcs QTY/20FT: 1,720 pcs</p>		

	<p>Ceiling plate integrated tilting system can be mounted on the roof which is not horizontal.</p>
---	--

	<p>Universal mount can be configured to accommodate three or four mounting holes, making it compatible with nearly all projectors.</p>
---	--

	<p>Newly designed extension system.</p>
---	---

	<p>With full sets of metal parts for universal application.</p>
---	---